
3 Parts and diagrams

- [Order parts by authorized service providers](#)
- [How to use the parts lists and diagrams](#)
- [Assembly locations](#)
- [Assembly views](#)
- [Scanner and ADF assemblies](#)
- [Covers](#)
- [Internal assemblies](#)
- [PCAs](#)
- [Alphabetical parts list](#)
- [Numerical parts list](#)

Order parts by authorized service providers

Order replacement parts

Table 3-1 Order parts, accessories, and supplies

Order supplies and paper	www.hp.com/go/suresupply
Order genuine HP parts or accessories	www.hp.com/buy/parts
Order through service or support providers	Contact an HP-authorized service or support provider.

Related documentation and software

Table 3-2 Related documentation and software

Item	Description	Part number
<i>HP LaserJet M1130/M1210 MFP SERIES User Guide</i>	Product user guide.	CE841-90904
<i>HP LASERJET PROFESSIONAL M1130/1210 MFP SERIES Service Manual</i>	English service manual (this manual)	CE841-90985

Supplies part numbers

Table 3-3 Supplies part numbers

Item	Description	Part number
HP LaserJet print cartridge	Print cartridge	CE285A (new; WW)
		CC388A (new; China)
		CE285-67901 (service; WW)
		CC388-67901 (service; China)

Customer replaceable units (CRU) kit part numbers

Table 3-4 Customer replaceable units (CRU) kit part numbers

Item	Description	Part number
Kit, pickup roller	Pickup roller	CE841-67901
	Instruction sheet	
Kit, separation pad	Separation pad	CE841-67902
	Instruction sheet	
Kit, paper pickup tray	Paper pickup tray	CE841-67903
	Instruction sheet	
Kit, paper delivery tray	Paper delivery tray	CE841-67904
	Instruction sheet	
Kit, Short-media extender tool	Short-media extender tool	CE841-67905
	Instruction sheet	

Whole-unit replacement part numbers

Table 3-5 Whole-unit replacement part numbers

Item	Description	Part number
HP LaserJet Professional M1130 MFP series	LJ M1132; 110 V	CE847-67001 (replacement)
		CE847-69001 (exchange)
	LJ M1132; 220 V	CE847-67002 (replacement)
		CE847-69002 (exchange)
	LJ M1136; 220 V	CE849-67002 (replacement)
		CE849-69002 (exchange)
HP LaserJet Professional M1210 MFP series	LJ M1212nf WCP USFax; 110 V	CE841-67001 (replacement)
		CE841-69001 (exchange)
	LJ M1212nf WCP EUFax; 220 V	CE841-67003 (replacement)
		CE841-69003 (exchange)
	LJ M1212nf ACP USFax; 220 V	CE841-67004 (replacement)
		CE841-69004 (exchange)
	LJ M1212nf ACP USFax; 110 V	CE841-67006 (replacement)
		CE841-69006 (exchange)
	LJ M1214nfh; 220 V	CE842-67001 (replacement)
		CE842-69001 (exchange)
	LJ M1216nfh ACP; 220 V	CE843-67001 (replacement)
		CE843-69001 (exchange)
	LJ M1216nfh WCP; 220 V	CE843-67002 (replacement)
		CE843-69002 (exchange)
	LJ M1217nfw; 110 V	CE844-67001 (replacement)
		CE844-69001 (exchange)
	LJ M1213nf ACP; 220 V	CE845-67001 (replacement)
		CE845-69001 (exchange)
LJ M1213nf WCP; 220 V	CE845-67002 (replacement)	
	CE845-69002 (exchange)	

How to use the parts lists and diagrams

△ **CAUTION:** Be sure to order the correct part. When looking for part numbers for electrical components, pay careful attention to the voltage that is listed. Doing so will make sure that the part number selected is for the correct model.

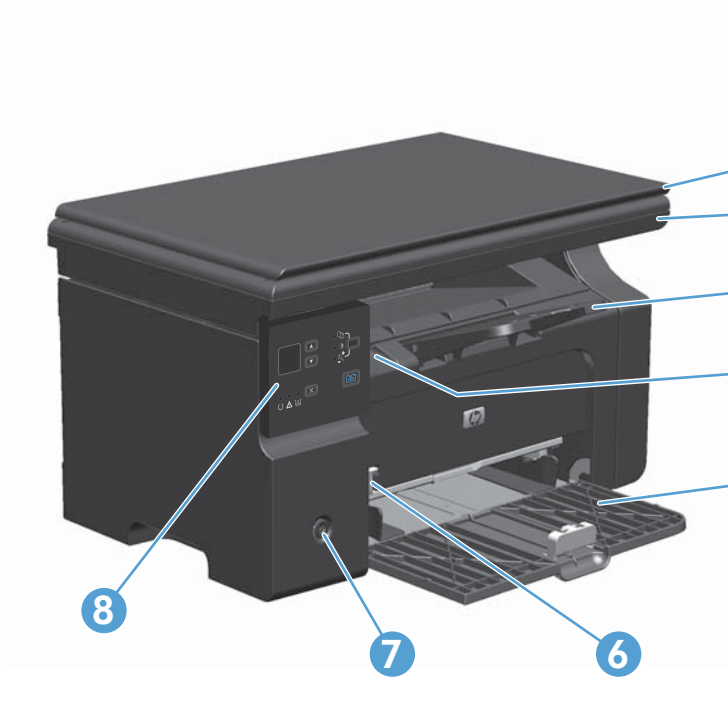
📄 **NOTE:** In this manual, the abbreviation “PCA” stands for “printed circuit-board assembly.” Components described as a PCA might consist of a single circuit board or a circuit board plus other parts, such as cables and sensors.

The figures in this chapter show the major subassemblies in the product and their component parts. A parts list table follows each exploded view assembly diagram. Each table lists the item number, the associated part number, and the description of each part. If a part is not listed in the table, then it is not a field replacement unit (FRU).

Assembly locations

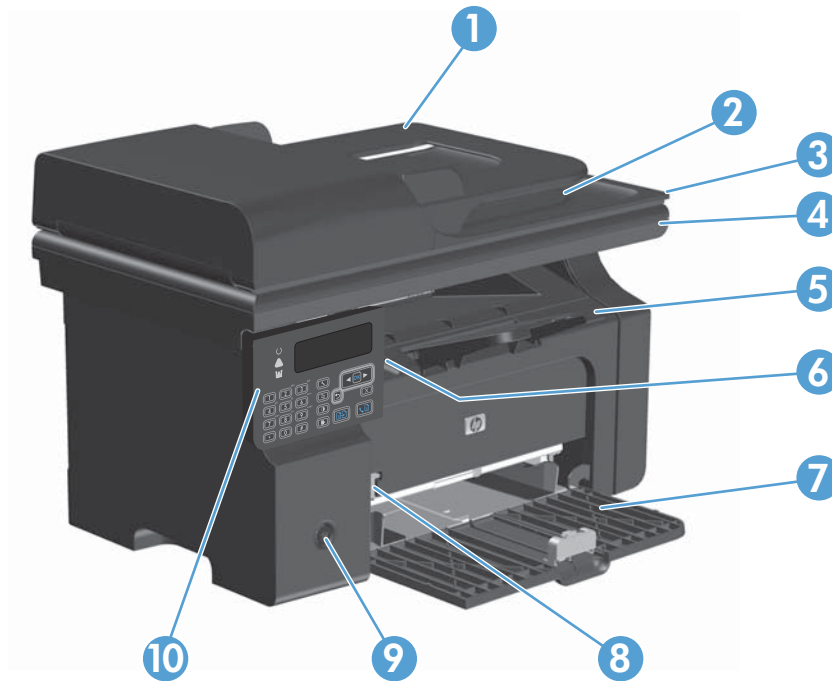
Base product (no optional trays or accessories)

Figure 3-1 Locations of major components; HP LaserJet Professional M1130 MFP series



1	Scanner lid
2	Scanner assembly
3	Output bin with extension for long paper
4	Print-cartridge door lift-tab
5	Input tray
6	Short-media extender tool
7	Power button
8	Control panel

Figure 3-2 Locations of major components; HP LaserJet Professional M1210 MFP series



1	Document feeder
2	Document feeder output bin
3	Scanner lid
4	Scanner assembly
5	Output bin with extension for long paper
6	Print-cartridge door lift-tab
7	Input tray
8	Short-media extender tool
9	Power button
10	Control panel

Assembly views

Assembly view, HP LaserJet Professional M1130 MFP series

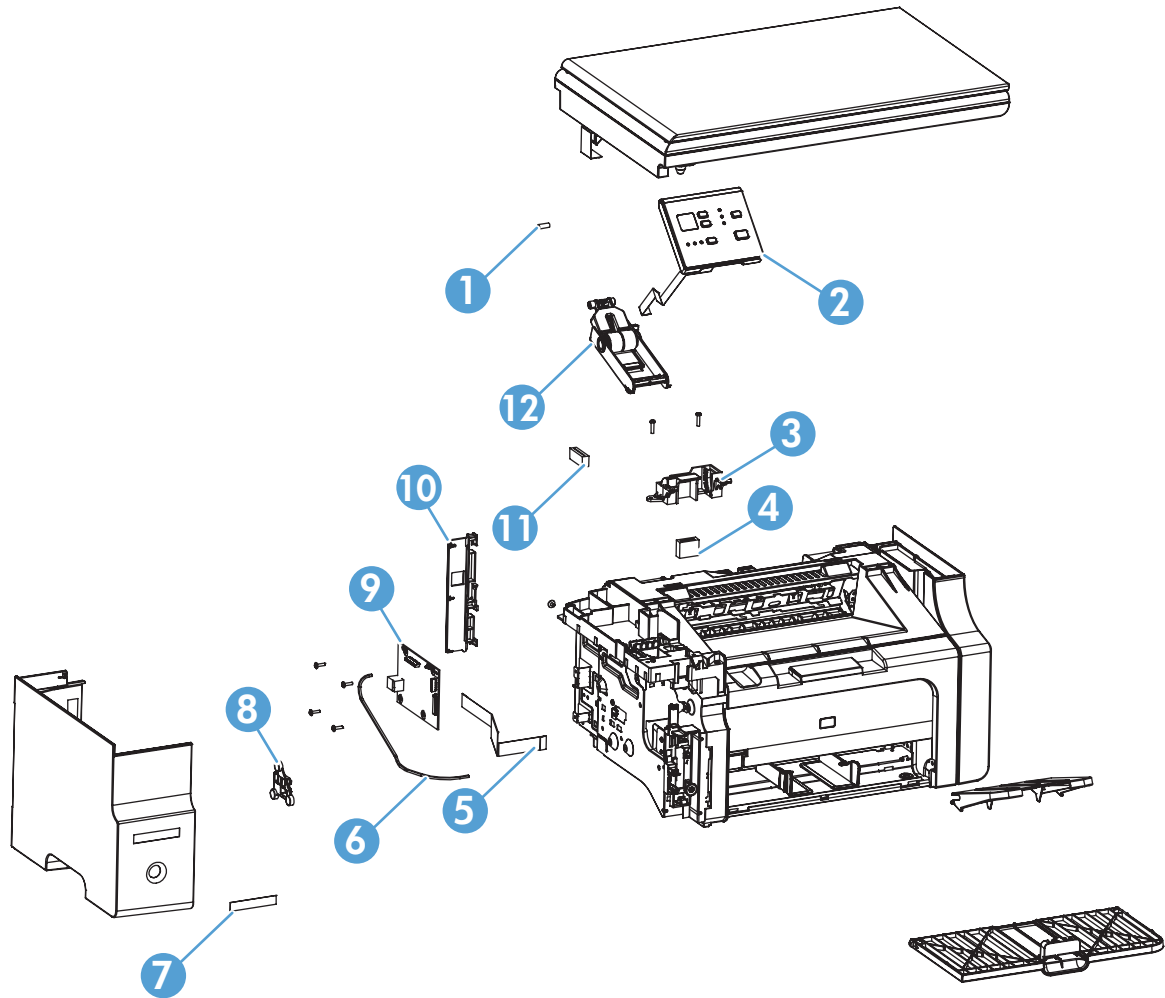


Table 3-6 Assembly view, HP LaserJet Professional M1130 MFP series

Ref	Description	Part number	Qty
1	Control panel, spring	CE841-00014	1
2	Control panel (HP LaserJet Professional M1130 MFP series)	CE841-60107	1
3	Control panel, mount	CE841-40005	1
4	Ferrite, rectangular EMI ROHS	9170-1821	1
5	Cable engine, video FFC 3:1	CE847-60105	1
6	Cable, engine 24 V 3:1	CE847-60109	1
7	Nameplate, metal low profile 3.5 ROHS	7121-8265	1
8	Spacer, formatter	CE847-40008	1
9	Formatter PCA assembly (HP LaserJet Professional M1130 MFP series)	CE831-60001	1
10	Cover, I/O (HP LaserJet Professional M1130 MFP series)	CE847-40009	1
11	Core-ferrite, ribbon core ROHS	9170-2385	1
12	Assylink, 3 in 1	CE847-60110	1

Assembly view, HP LaserJet Professional M1210 MFP series

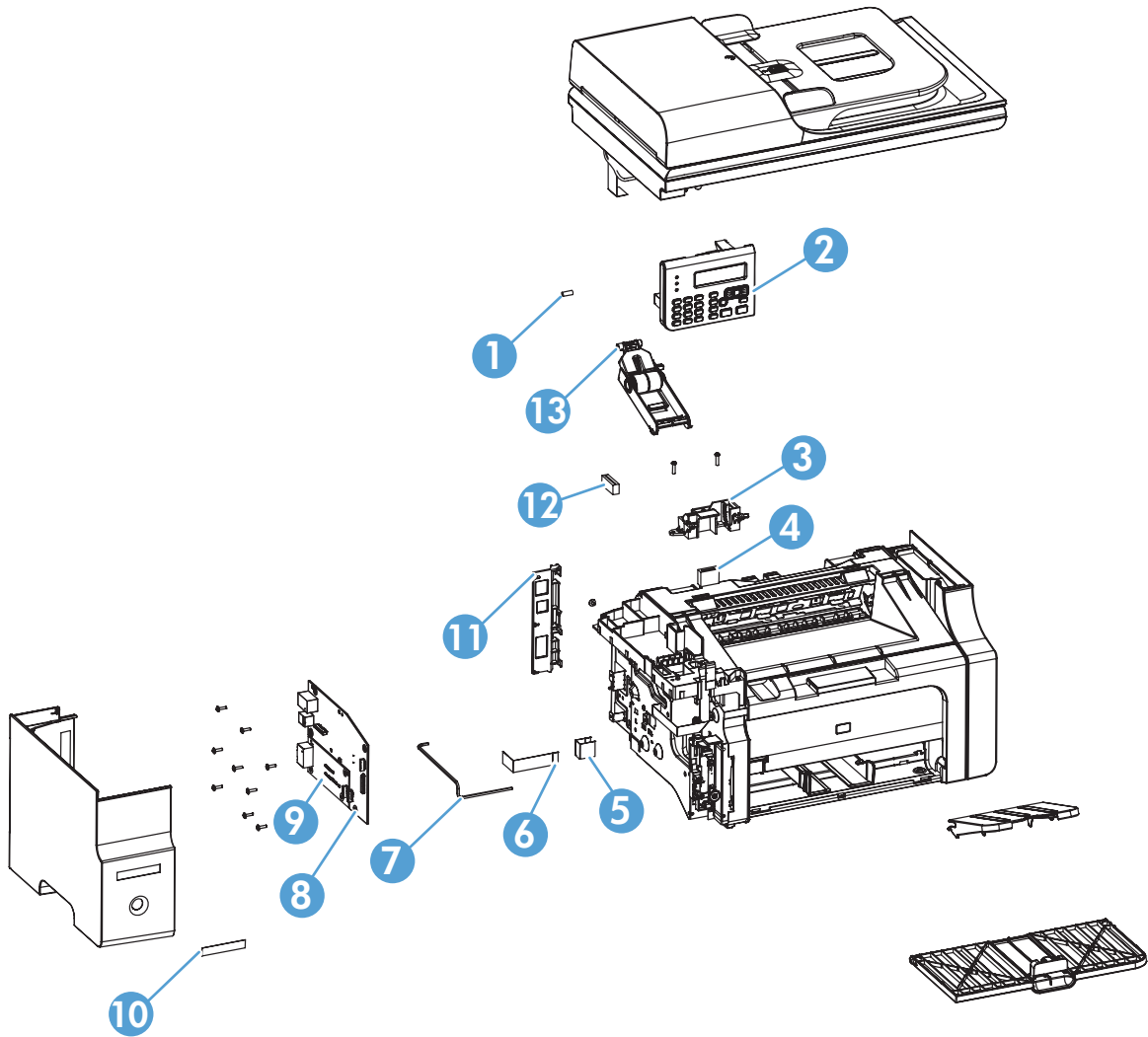


Table 3-7 Assembly view, HP LaserJet Professional M1210 MFP series

Ref	Description	Part number	Qty
1	Control panel, spring	CE841-00014	1
2	Control panel, Western (HP LaserJet Professional M1210 MFP series)	CE841-60110	1
2	Control panel, Asian (HP LaserJet Professional M1210 MFP series)	CE841-60109	1
3	Control panel, mount	CE841-40005	1
4	Ferrite, rectangular EMI ROHS	9170-1821	1
5	Jumper, fax PCA	CE841-60116	1
6	Cable engine, video FFC 4:1	CE841-60108	1
7	Cable, engine 24 V 4:1	CE847-60107	1
8	Formatter PCA assembly (HP LaserJet Professional M1210 MFP series)	CE832-60001	1
9	Fax card, Billow DAA US (HP LaserJet Professional M1210 MFP series)	CE833-60001	1
9	Fax card, DAA Euro (HP LaserJet Professional M1210 MFP series)	CE868-60001	1
9	Fax card, DAA Brazil (HP LaserJet Professional M1210 MFP series)	CD643-60001	1
10	Nameplate, metal low profile 3.5 ROHS	7121-8265	1
11	Cover, I/O (HP LaserJet Professional M1130 MFP series)	CE841-40026	1
12	Core-ferrite, ribbon core ROHS	9170-2385	1
13	Assylink, 4 in 1	CE841-60119	1

Scanner and ADF assemblies

Scanner assembly (1 of 2); HP LaserJet Professional M1130 MFP series

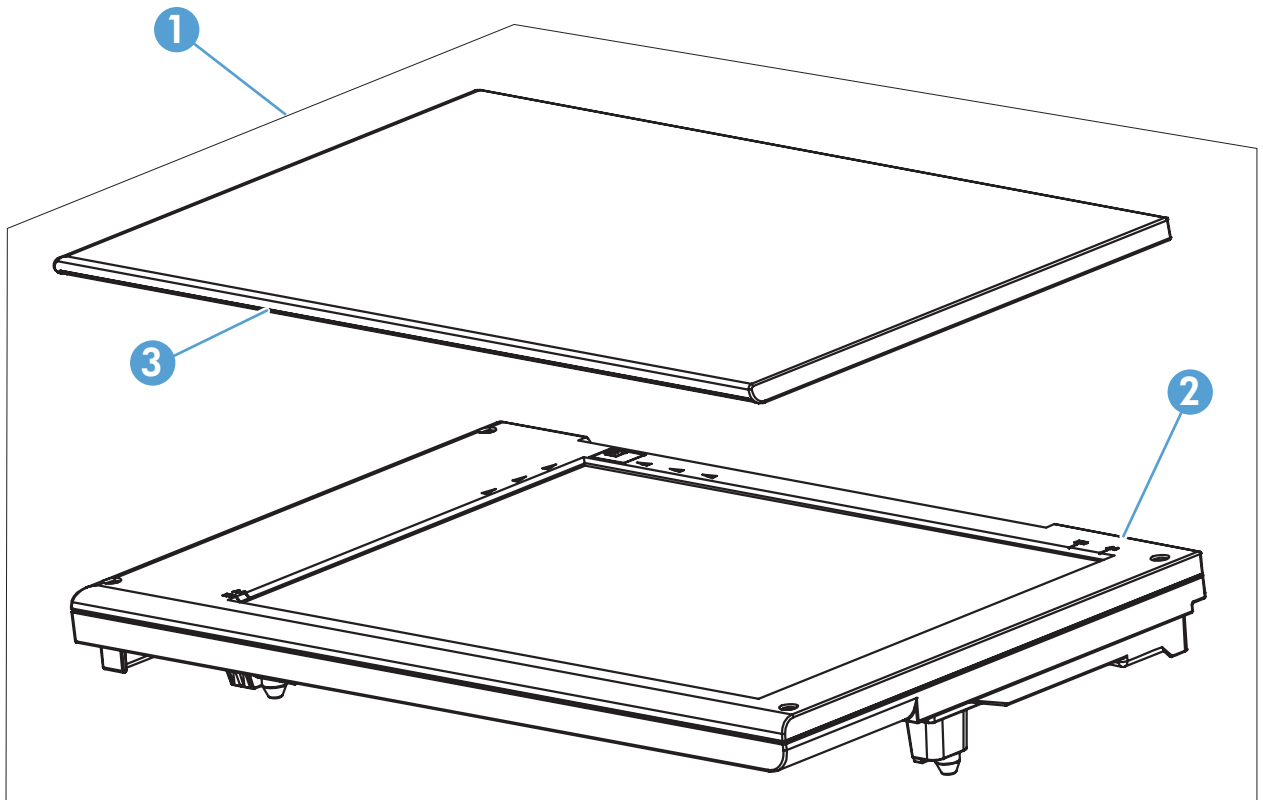


Table 3-8 Scanner assembly (1 of 2); HP LaserJet Professional M1130 MFP series

Ref	Description	Part number	Qty
1	Scanner assembly, HP LaserJet Professional M1130 MFP series	CE847-60112	
2	Scanner base assembly	CE847-60104	1
3	Lid, document base	CE847-40003	1
Not shown	Backing, document	Q3434-40038	1

Scanner assembly (2 of 2); HP LaserJet Professional M1130 MFP series

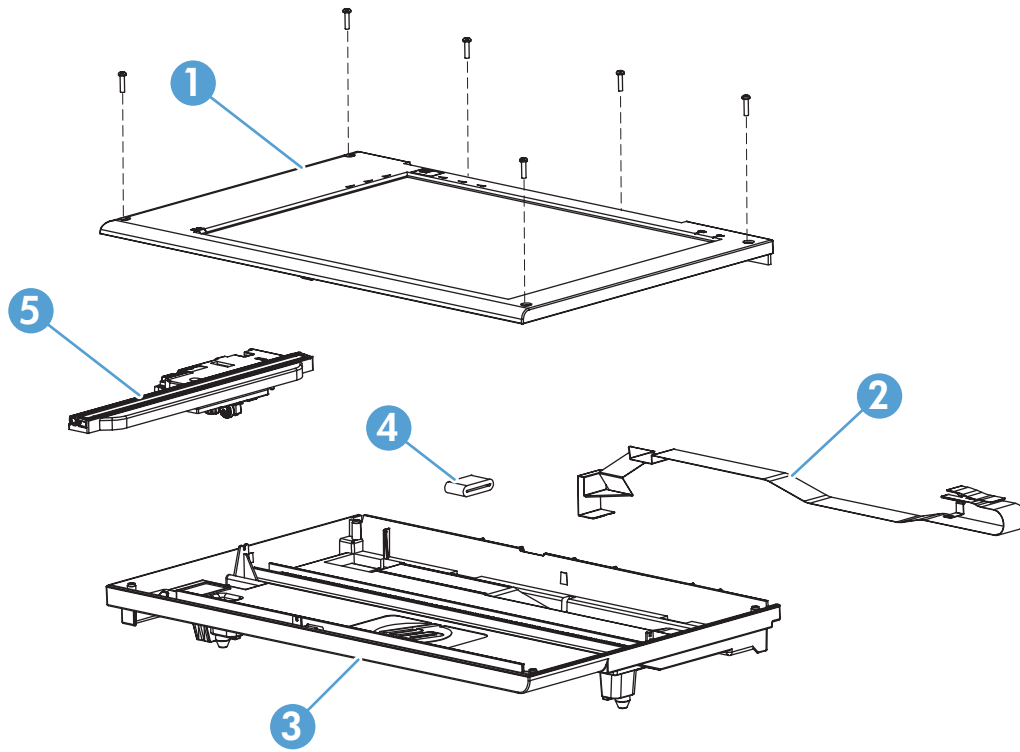


Table 3-9 Scanner assembly (2 of 2); HP LaserJet Professional M1130 MFP series

Ref	Description	Part number	Qty
1	Bezel, scanner assembly	CE847-60103	1
2	FFC, scan module	CE847-60106	1
3	Base, scanner	CE847-40001	1
4	Ferrite, rectangular EMI ROHS	9170-1821	1
5	Scanner drive assembly	CE847-60108	1

Scanner drive assembly; HP LaserJet Professional M1130 MFP series

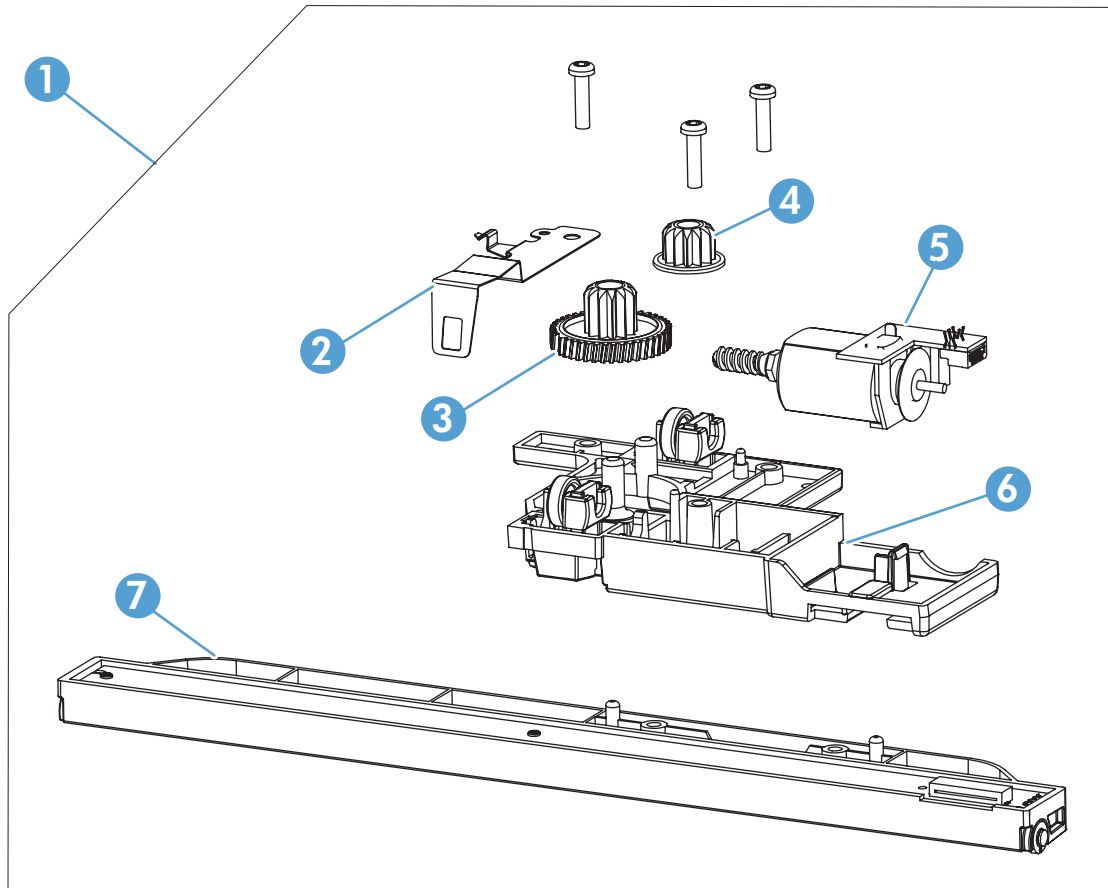


Table 3-10 Scanner drive assembly; HP LaserJet Professional M1130 MFP series

Ref	Description	Part number	Qty
1	Scanner drive assembly	CE847-60108	1
2	Clamp, motor scanner	CE841-00017	1
3	Gear, worm/pinion	Q1647-40003	1
4	Gear, drag	Q1647-40045	1
5	Motor, DC	Q3434-60238	1
6	Carriage, scanner	CE847-40007	1
7	Scanner 1200 PPI, assembly	Q8418-60043	1
Not shown	Cable, scan module	CE847-60106	1

ADF/scanner assembly; HP LaserJet Professional M1210 MFP series

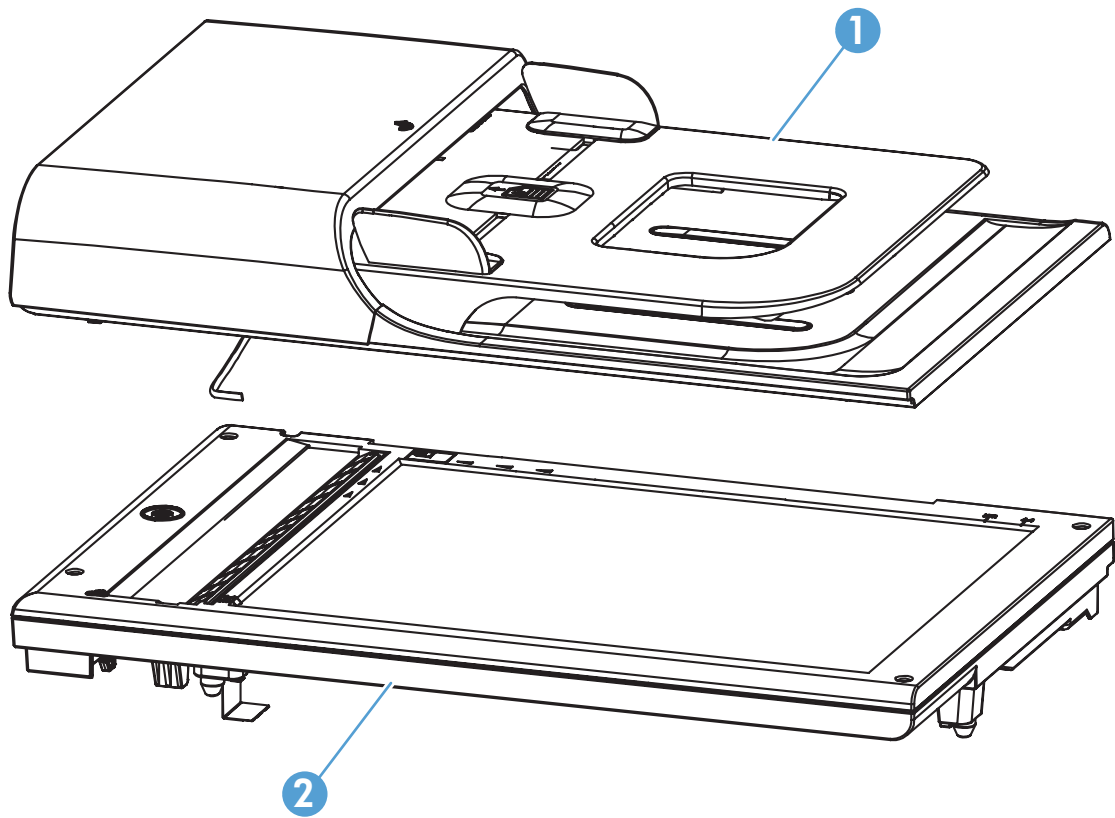


Table 3-11 ADF/scanner assembly; HP LaserJet Professional M1210 MFP series

Ref	Description	Part number	Qty
1	Automatic document feeder (ADF), assembly	CE841-60106	1
2	Scanner assembly	CE841-60125	1

Scanner assembly; HP LaserJet Professional M1210 MFP series

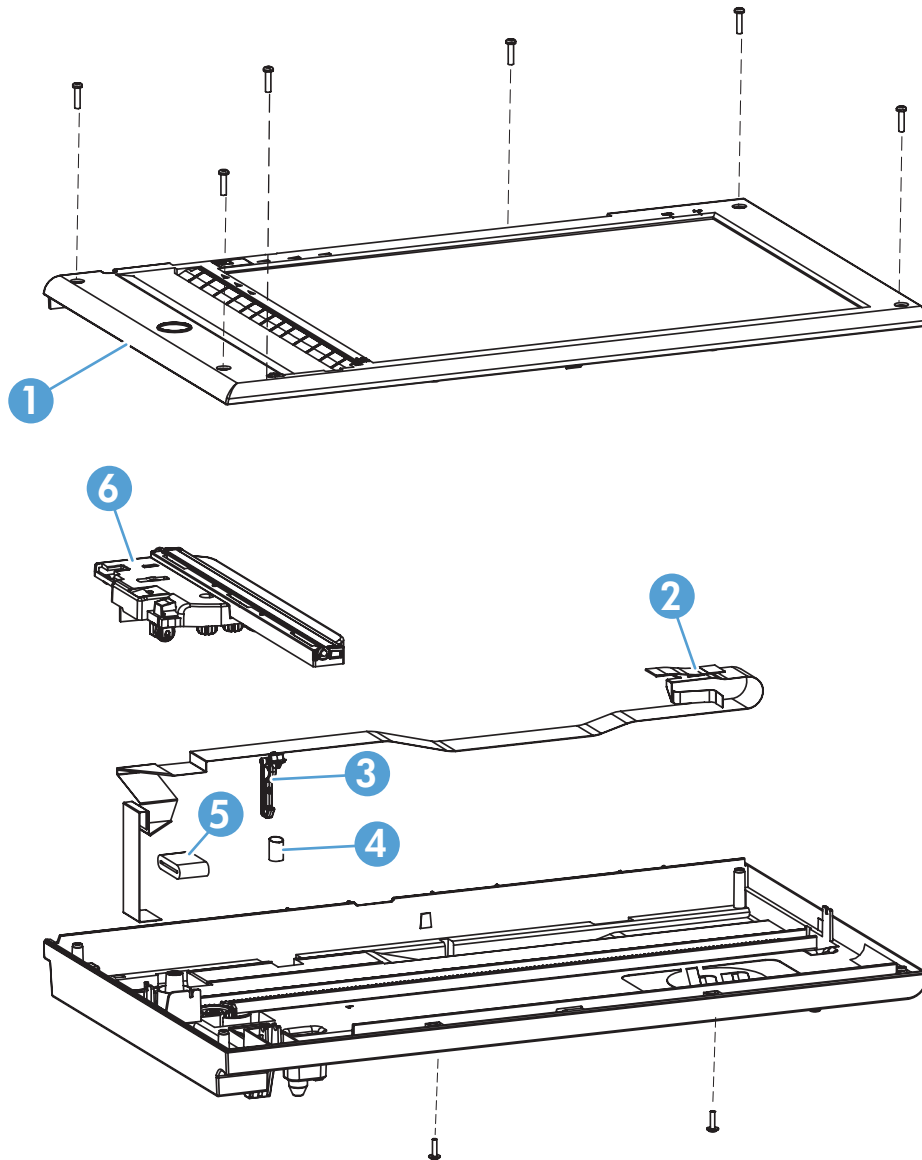


Table 3-12 ADF/scanner assembly; HP LaserJet Professional M1210 MFP series

Ref	Description	Part number	Qty
1	Bezel, scanner assembly	CE841-60102	1
2	FFC, scan module	CE841-60104	1
3	Hook, SSA latch	Q8191-00004	1
4	Spring, SSA latch	CE841-00020	1
5	Ferrite, rectangular EMI ROHS	9170-1821	1
6	Scanner drive assembly	CE841-60111	1

Scanner drive assembly; HP LaserJet Professional M1210 MFP series

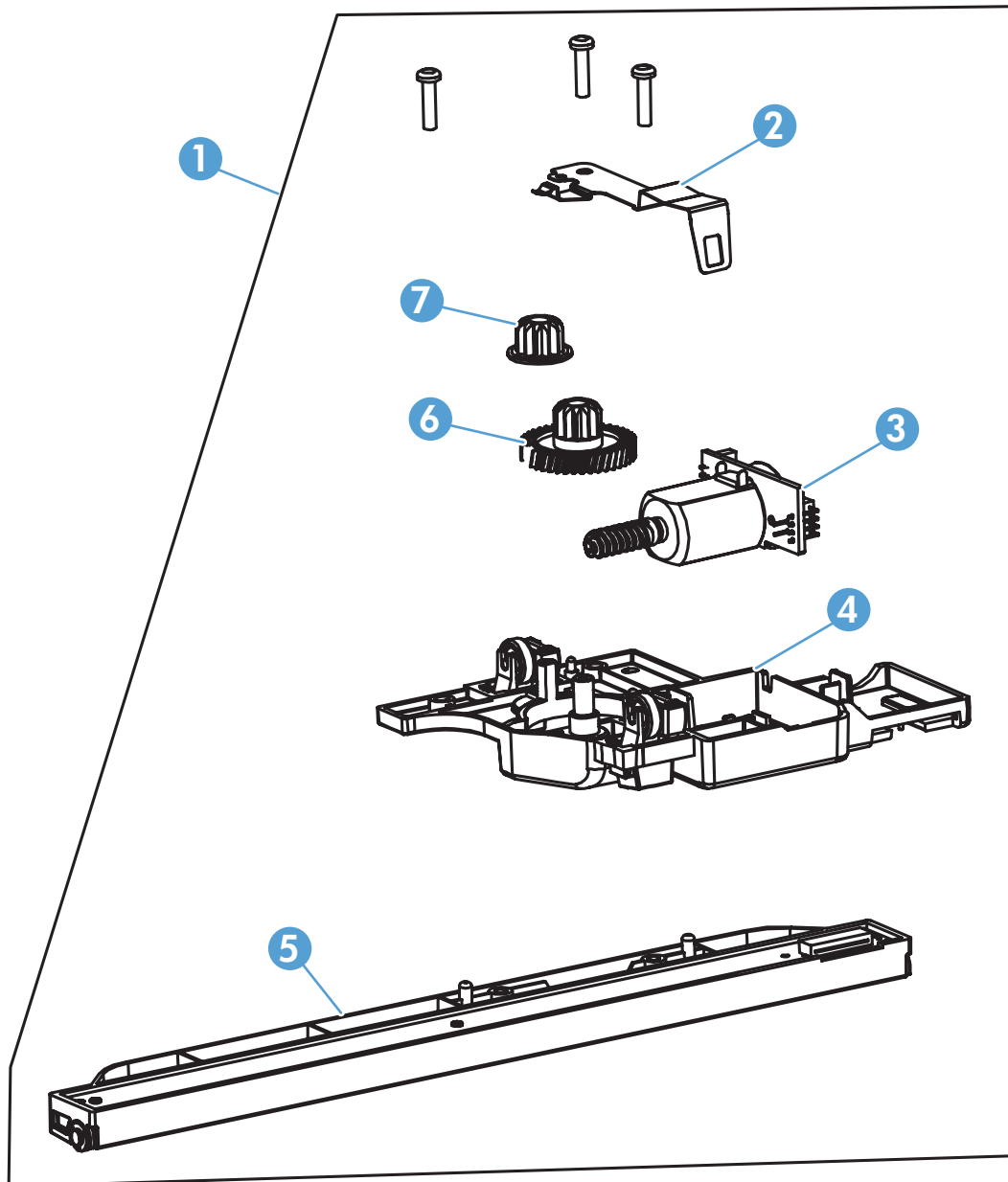


Table 3-13 Scanner drive assembly; HP LaserJet Professional M1210 MFP series

Ref	Description	Part number	Qty
1	Scanner drive assembly	CE841-60111	1
2	Clamp, motor scanner	CE841-00017	1
3	Motor, DC	CE538-60128	1
4	Carriage, scanner	CE841-40017	1
5	Scanner 1200 PPI, assembly	Q8418-60043	1
6	Gear, worm/pinion	CC334-40078	1
7	Gear, drag	Q8180-40007	1
Not shown	Cable, scan module	CE841-60104	1

ADF assembly; HP LaserJet Professional M1210 MFP series

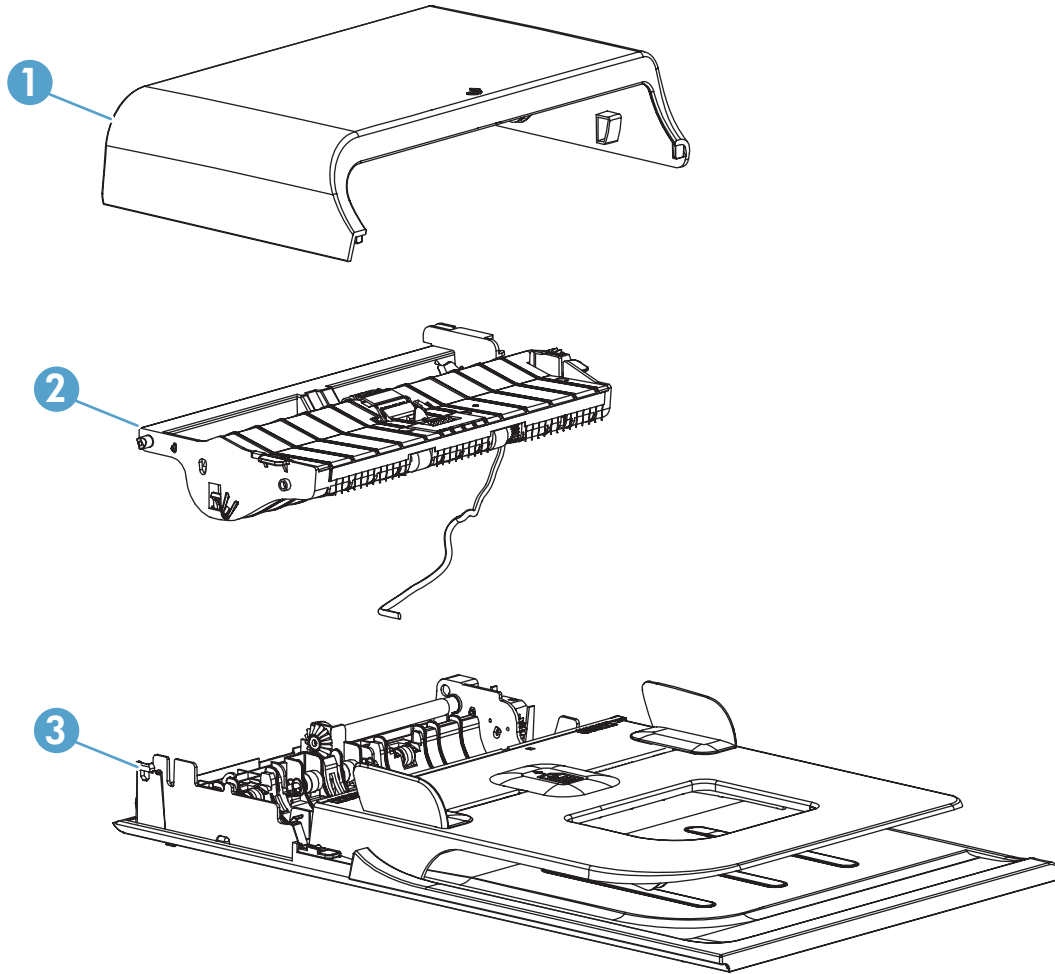


Table 3-14 ADF assembly; HP LaserJet Professional M1210 MFP series

Ref	Description	Part number	Qty
1	Top cover, ADF	CE841-60112	1
2	Core, ADF	CE841-60114	1
3	Base, ADF	CE841-60113	1

ADF top cover; HP LaserJet Professional M1210 MFP series

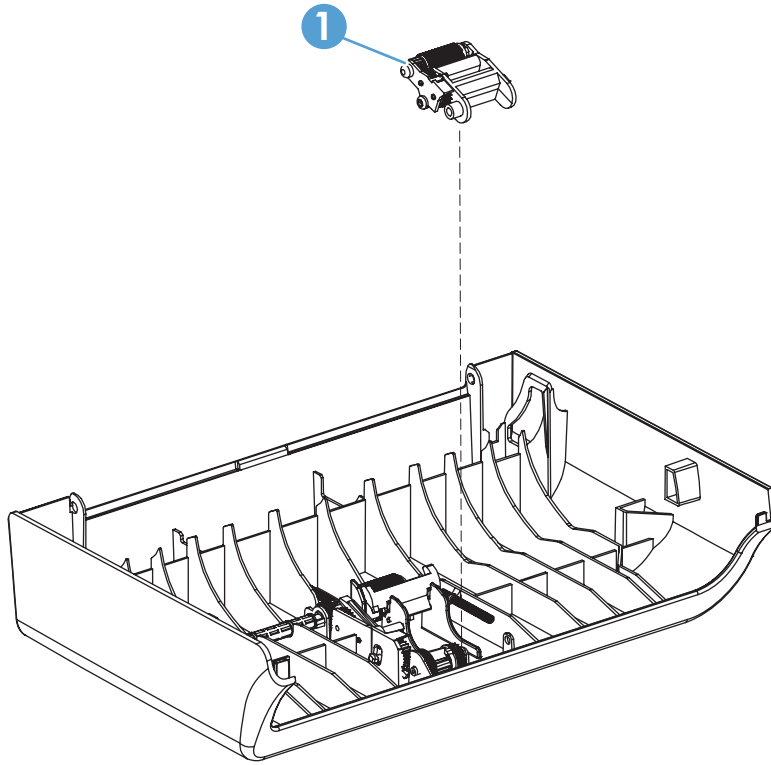


Table 3-15 ADF top cover; HP LaserJet Professional M1210 MFP series

Ref	Description	Part number	Qty
1	Pre-pick arm assembly, ADF	CB780-60032	1

ADF core; HP LaserJet Professional M1210 MFP series

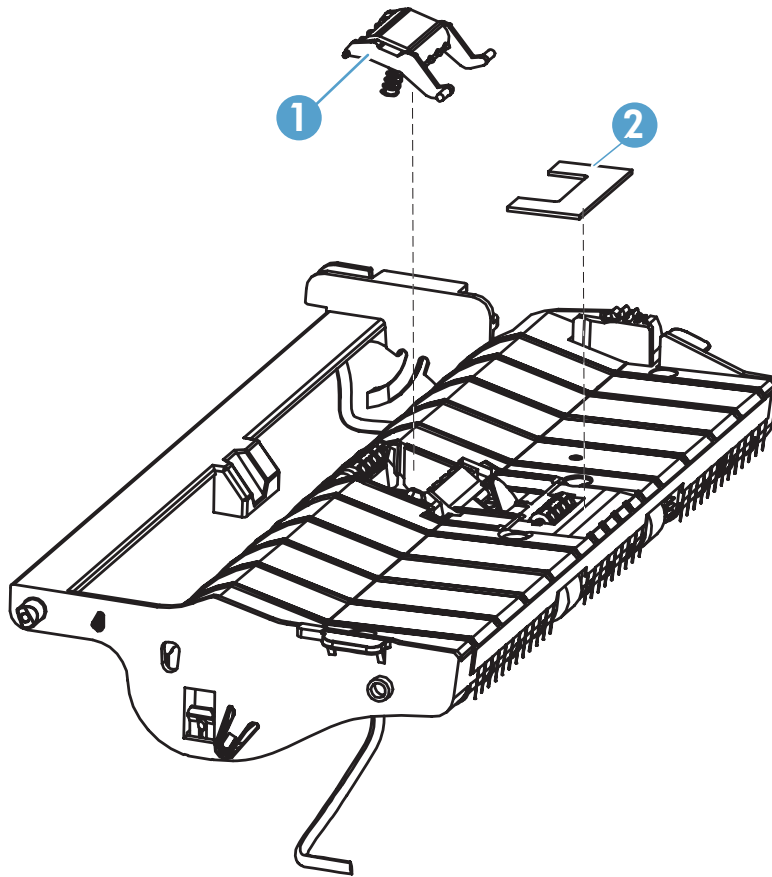


Table 3-16 ADF core; HP LaserJet Professional M1210 MFP series

Ref	Description	Part number	Qty
1	Pad friction, ADF	CB780-80008	1
2	Separation pad assembly, ADF	CB780-60009	1

ADF Base; HP LaserJet Professional M1210 MFP series

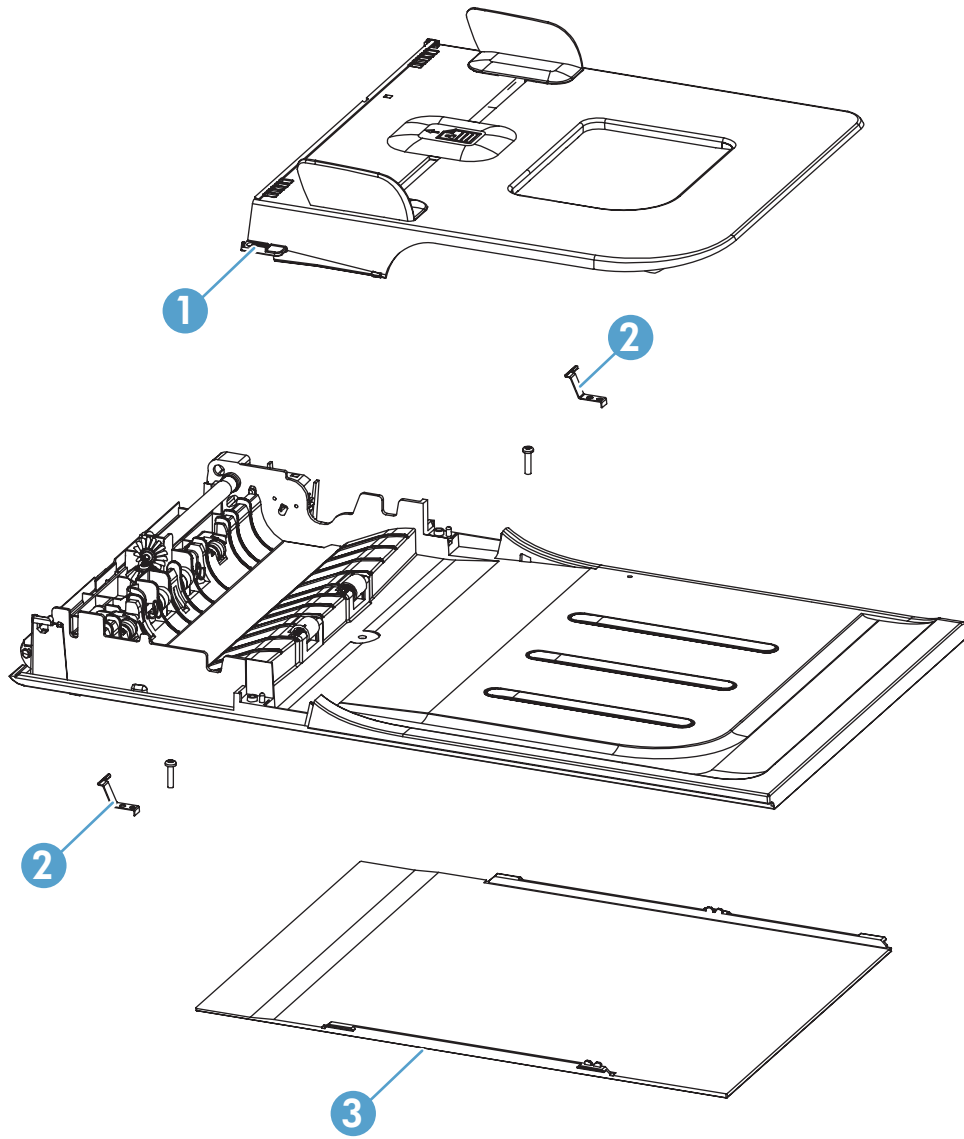


Table 3-17 ADF pre-pick arm assembly; HP LaserJet Professional M1210 MFP series

Ref	Description	Part number	Qty
1	Input tray, ADF	CE841-60118	1
2	Latch, ADF	Q8191-00004	2
3	Backing, document	Q3434-40038	1

Covers

Product base

Figure 3-3 Product base

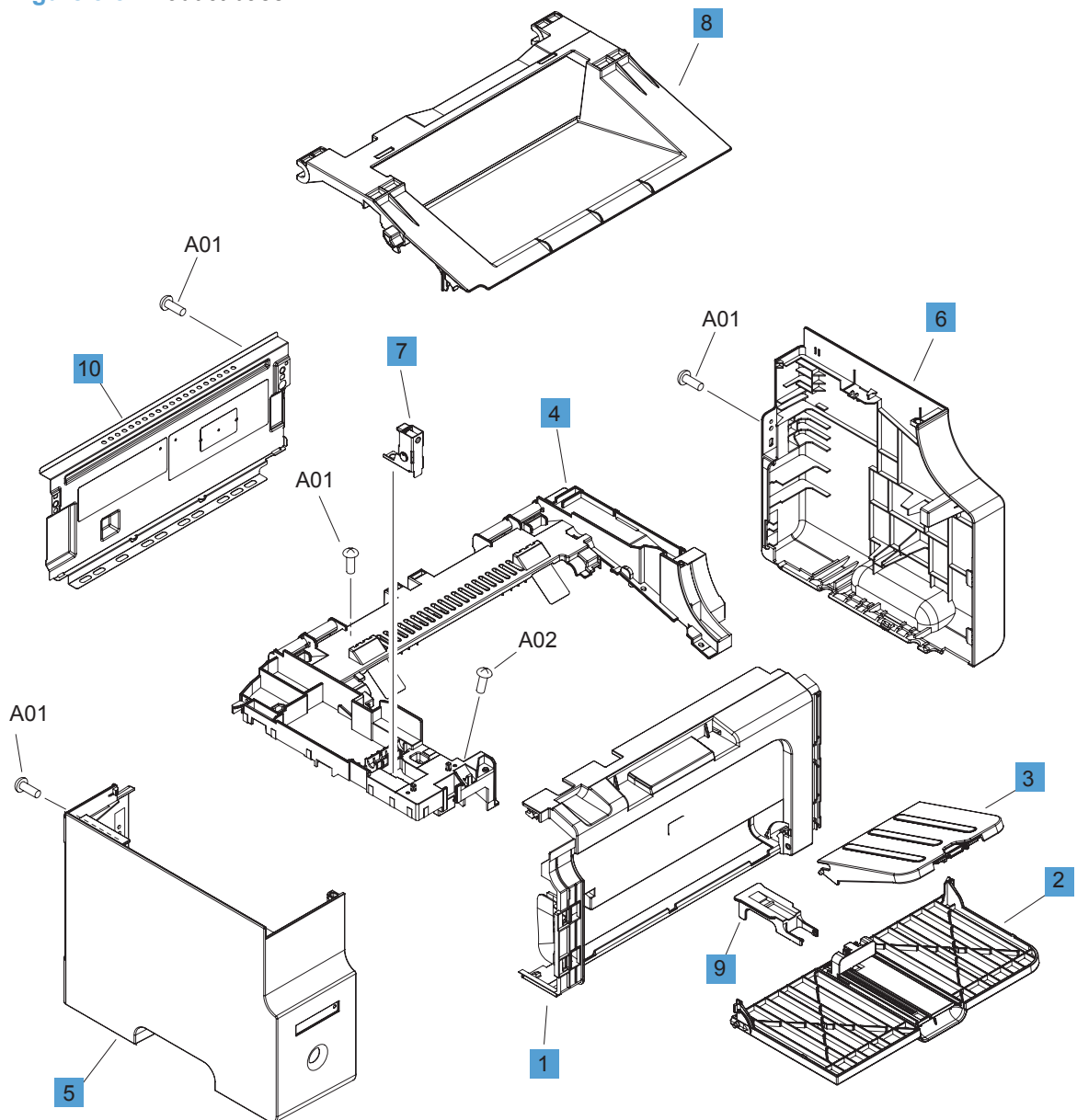


Table 3-18 Product base

Ref	Description	Part number	Qty
1	Front cover	RL1-2946-000CN	1
2	Paper pickup tray assembly	RM1-7728-000CN	1
3	Paper delivery tray assembly	RM1-7727-000CN	1
4	Cover, top	RL1-2944-000CN	1
5	Cover, left	RC3-0823-000CN	1
6	Cover, right	RC3-0825-000CN	1
7	Scanner lock assembly	RM1-7726-000CN	1
8	Door, print cartridge	RC3-0839-000CN	1
9	Stopper, paper	RC2-9249-000CN	1
10	Panel, rear	RC3-0852-000CN	1

Internal assemblies

Internal assemblies (1 of 3)

Figure 3-4 Internal assemblies (1 of 3)

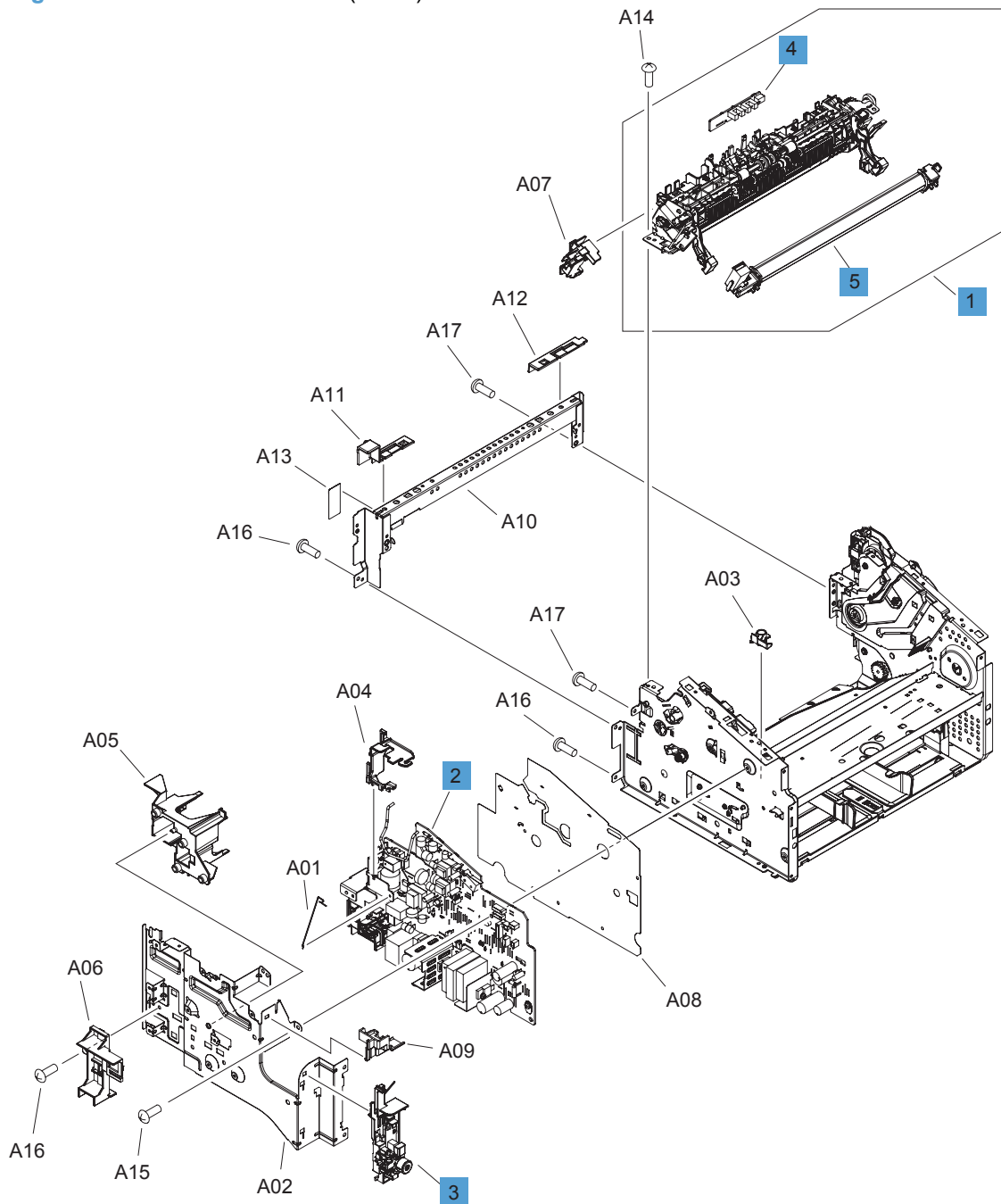


Table 3-19 Internal assemblies (1 of 3)

Ref	Description	Part number	Qty
1	Fuser paper delivery assembly (110 V)	RM1-7733-000CN	1
1	Fuser paper delivery assembly (220 V)	RM1-7734-000CN	1
2	Engine controll PCA (110 V)	RM1-7892-000CN	1
2	Engine controll PCA (220 V)	RM1-7902-000CN	1
3	Power switch assembly	RM1-7735-000CN	1
4	Delivery sensor PCA assembly	RM1-7893-000CN	1
5	Fuser film assembly (110 V)	RM1-6872-000CN	1
5	Fuser film assembly (220 V)	RM1-6873-000CN	1

Internal assemblies (2 of 3)

Figure 3-5 Internal assemblies (2 of 3)

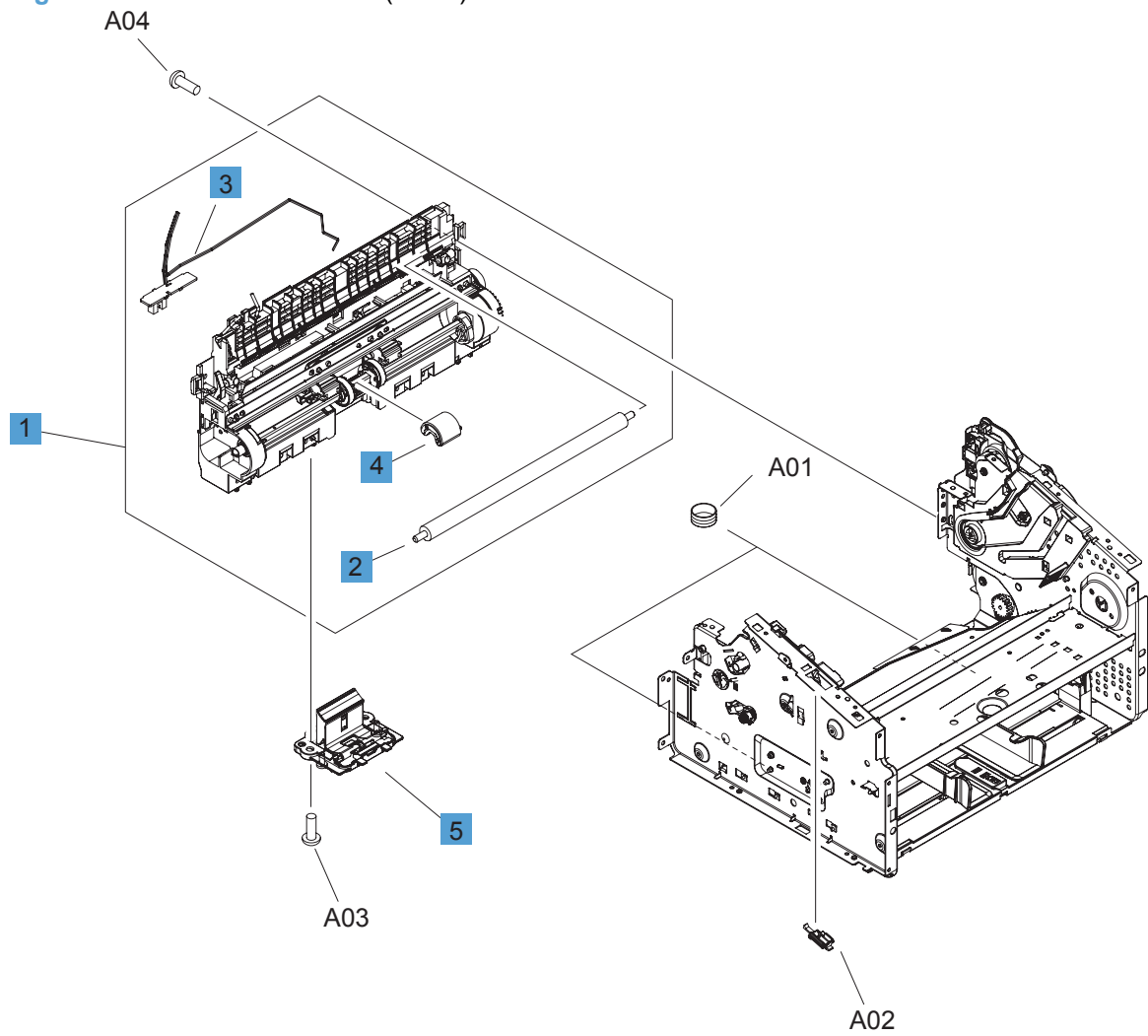


Table 3-20 Internal assemblies (2 of 3)

Ref	Description	Part number	Qty
1	Pickup transfer frame assembly	RM1-7737-000CN	1
2	Transfer roller	RM1-4023-000CN	1
3	Paper pickup sensor PCA assembly	RM1-7894-000CN	1
4	Roller, paper pickup	RL1-2593-000CN	1
5	Separation pad assembly	RM1-4006-000CN	1

Internal assemblies (3 of 3)

Figure 3-6 Internal assemblies (3 of 3)

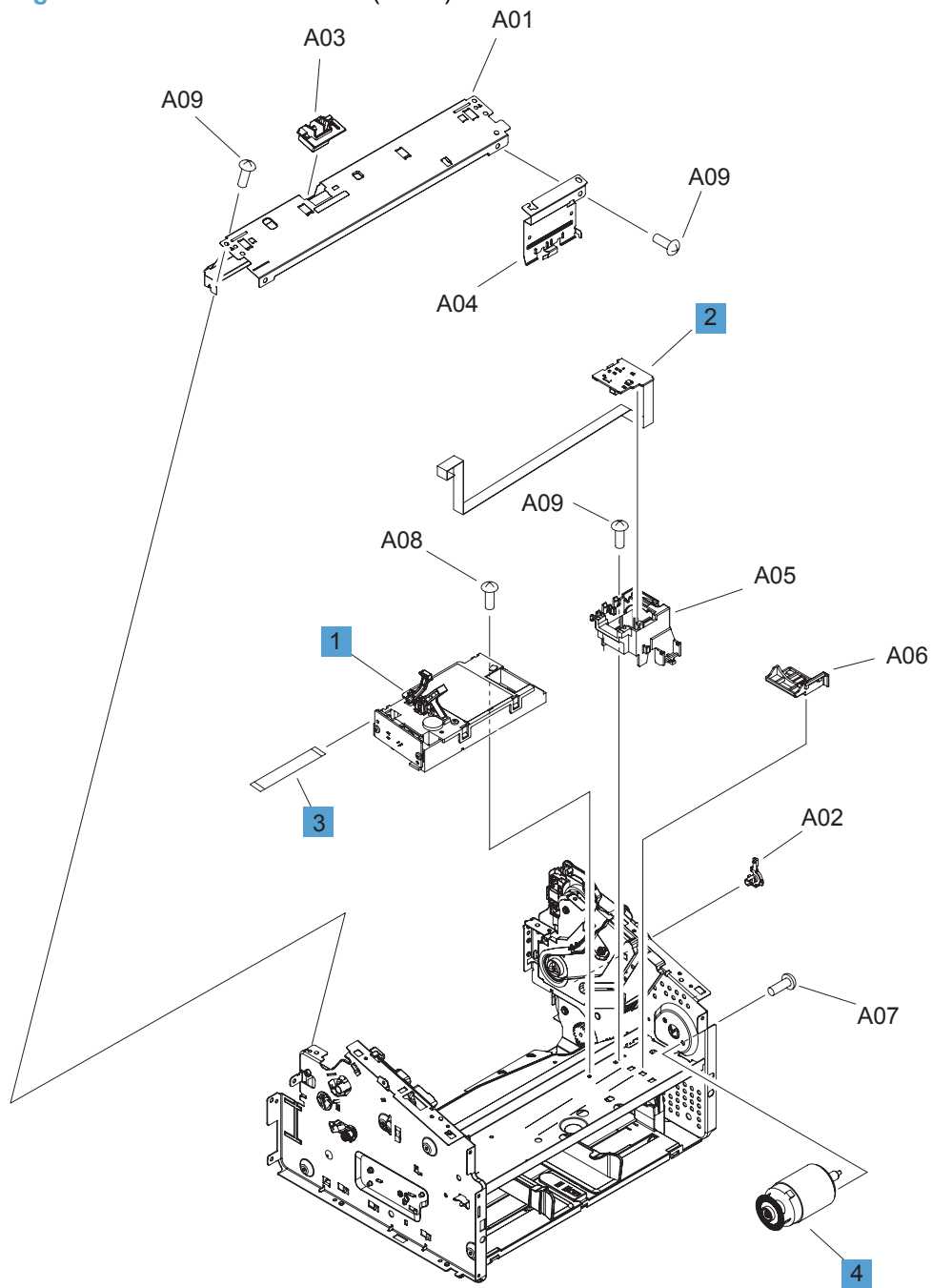


Table 3-21 Internal assemblies (3 of 3)

Ref	Description	Part number	Qty
1	Laser/scanner assembly	RM1-6878-000CN	1
2	Motor PCA assembly	RM1-7895-000CN	1
3	Cable, flat	RM1-7604-000CN	1
4	Motor, DC 24 V	RL1-2591-000CN	1

PCAs

Figure 3-7 PCAs

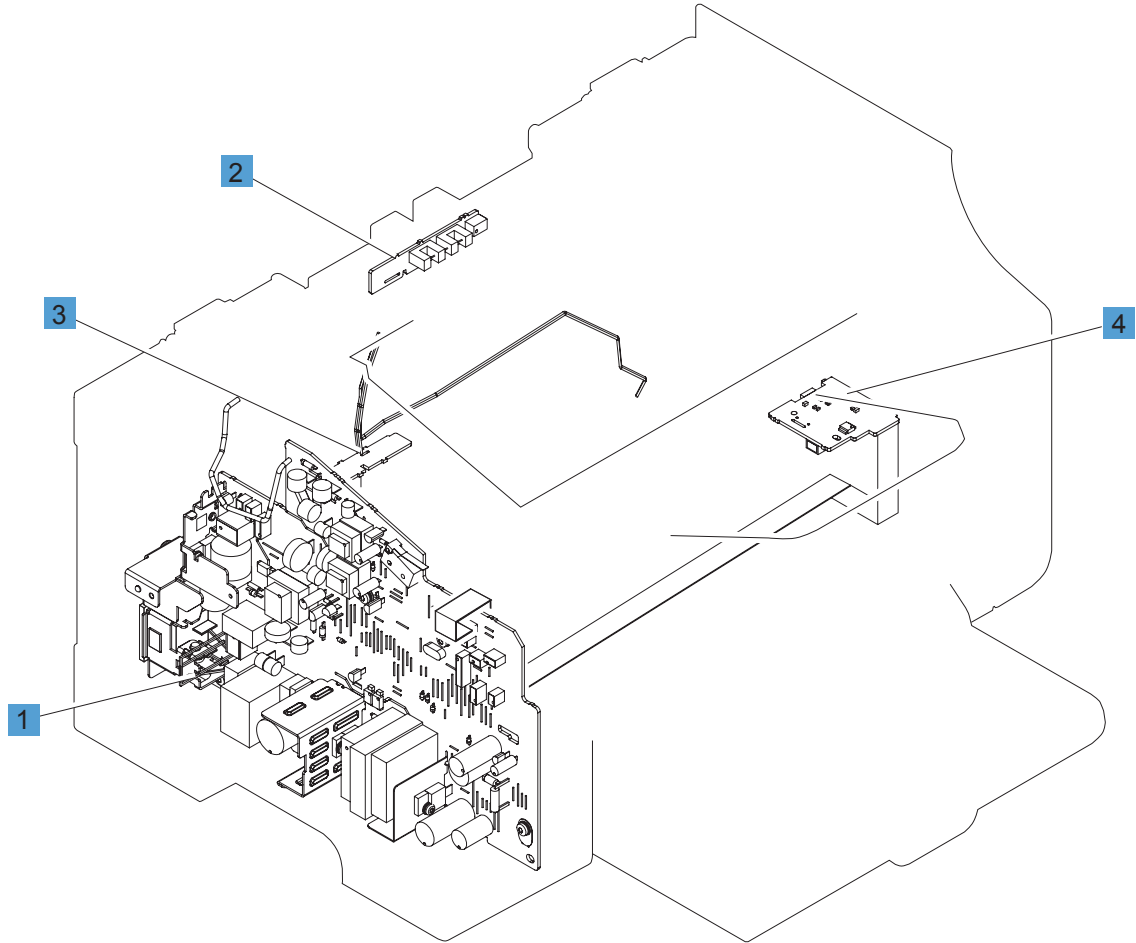


Table 3-22 PCAs

Ref	Description	Part number	Qty
1	Engine control PCA assembly (110 V)	RM1-7892-000CN	1
1	Engine control PCA assembly (220 V)	RM1-7902-000CN	1
2	Delivery sensor PCA assembly	RM1-7893-000CN	1
3	Paper pickup sensor PCA assembly	RM1-7894-000CN	1
4	Motor PCA assembly	RM1-7895-000CN	1

Alphabetical parts list

Table 3-23 Alphabetical parts list

Description	Part number	Table and page
Assylink, 3 in 1	CE847-60110	Assembly view, HP LaserJet Professional M1130 MFP series on page 187
Assylink, 4 in 1	CE841-60119	Assembly view, HP LaserJet Professional M1210 MFP series on page 189
Automatic document feeder (ADF), assembly	CE841-60106	ADF/scanner assembly; HP LaserJet Professional M1210 MFP series on page 197
Backing, document	Q3434-40038	Scanner assembly (1 of 2); HP LaserJet Professional M1130 MFP series on page 191
Backing, document	Q3434-40038	ADF pre-pick arm assembly; HP LaserJet Professional M1210 MFP series on page 209
Base, ADF	CE841-60113	ADF assembly; HP LaserJet Professional M1210 MFP series on page 203
Base, scanner	CE847-40001	Scanner assembly (2 of 2); HP LaserJet Professional M1130 MFP series on page 193
Bezel, scanner assembly	CE847-60103	Scanner assembly (2 of 2); HP LaserJet Professional M1130 MFP series on page 193
Bezel, scanner assembly	CE841-60102	ADF/scanner assembly; HP LaserJet Professional M1210 MFP series on page 199
Cable engine, video FFC 3:1	CE847-60105	Assembly view, HP LaserJet Professional M1130 MFP series on page 187
Cable engine, video FFC 4:1	CE841-60108	Assembly view, HP LaserJet Professional M1210 MFP series on page 189
Cable, engine 24 V 3:1	CE847-60109	Assembly view, HP LaserJet Professional M1130 MFP series on page 187
Cable, engine 24 V 4:1	CE847-60107	Assembly view, HP LaserJet Professional M1210 MFP series on page 189
Cable, flat	RM1-7604-000CN	Internal assemblies (3 of 3) on page 217

Table 3-23 Alphabetical parts list (continued)

Description	Part number	Table and page
Cable, scan module	CE847-60106	Scanner drive assembly; HP LaserJet Professional M1130 MFP series on page 195
Cable, scan module	CE841-60104	Scanner drive assembly; HP LaserJet Professional M1210 MFP series on page 201
Carriage, scanner	CE847-40007	Scanner drive assembly; HP LaserJet Professional M1130 MFP series on page 195
Carriage, scanner	CE841-40017	Scanner drive assembly; HP LaserJet Professional M1210 MFP series on page 201
Clamp, motor scanner	CE841-00017	Scanner drive assembly; HP LaserJet Professional M1130 MFP series on page 195
Clamp, motor scanner	CE841-00017	Scanner drive assembly; HP LaserJet Professional M1210 MFP series on page 201
Control panel (HP LaserJet Professional M1130 MFP series)	CE841-60107	Assembly view, HP LaserJet Professional M1130 MFP series on page 187
Control panel, Asian (HP LaserJet Professional M1210 MFP series)	CE841-60109	Assembly view, HP LaserJet Professional M1210 MFP series on page 189
Control panel, mount	CE841-40005	Assembly view, HP LaserJet Professional M1130 MFP series on page 187
Control panel, mount	CE841-40005	Assembly view, HP LaserJet Professional M1210 MFP series on page 189
Control panel, spring	CE841-00014	Assembly view, HP LaserJet Professional M1130 MFP series on page 187
Control panel, spring	CE841-00014	Assembly view, HP LaserJet Professional M1210 MFP series on page 189
Control panel, Western (HP LaserJet Professional M1210 MFP series)	CE841-60110	Assembly view, HP LaserJet Professional M1210 MFP series on page 189
Core, ADF	CE841-60114	ADF assembly; HP LaserJet Professional M1210 MFP series on page 203
Core-ferrite, ribbon core ROHS	9170-2385	Assembly view, HP LaserJet Professional M1130 MFP series on page 187

Table 3-23 Alphabetical parts list (continued)

Description	Part number	Table and page
Core-ferrite, ribbon core ROHS	9170-2385	Assembly view, HP LaserJet Professional M1210 MFP series on page 189
Cover, I/O (HP LaserJet Professional M1130 MFP series)	CE847-40009	Assembly view, HP LaserJet Professional M1130 MFP series on page 187
Cover, I/O (HP LaserJet Professional M1130 MFP series)	CE841-40026	Assembly view, HP LaserJet Professional M1210 MFP series on page 189
Cover, left	RC3-0823-000CN	Product base on page 211
Cover, right	RC3-0825-000CN	Product base on page 211
Cover, top	RL1-2944-000CN	Product base on page 211
Delivery sensor PCA assembly	RM1-7893-000CN	Internal assemblies (1 of 3) on page 213
Delivery sensor PCA assembly	RM1-7893-000CN	PCAs on page 219
Door, print cartridge	RC3-0839-000CN	Product base on page 211
Engine control PCA assembly (110 V)	RM1-7892-000CN	PCAs on page 219
Engine control PCA assembly (220 V)	RM1-7902-000CN	PCAs on page 219
Engine controll PCA (110 V)	RM1-7892-000CN	Internal assemblies (1 of 3) on page 213
Engine controll PCA (220 V)	RM1-7902-000CN	Internal assemblies (1 of 3) on page 213
Fax card, Billow DAA US (HP LaserJet Professional M1210 MFP series)	CE833-60001	Assembly view, HP LaserJet Professional M1210 MFP series on page 189
Fax card, DAA Brazil (HP LaserJet Professional M1210 MFP series)	CD643-60001	Assembly view, HP LaserJet Professional M1210 MFP series on page 189
Fax card, DAA Euro (HP LaserJet Professional M1210 MFP series)	CE868-60001	Assembly view, HP LaserJet Professional M1210 MFP series on page 189
Ferrite, rectangular EMI ROHS	9170-1821	Assembly view, HP LaserJet Professional M1130 MFP series on page 187
Ferrite, rectangular EMI ROHS	9170-1821	Assembly view, HP LaserJet Professional M1210 MFP series on page 189
Ferrite, rectangular EMI ROHS	9170-1821	Scanner assembly (2 of 2); HP LaserJet Professional M1130 MFP series on page 193
Ferrite, rectangular EMI ROHS	9170-1821	ADF/scanner assembly; HP LaserJet Professional M1210 MFP series on page 199

Table 3-23 Alphabetical parts list (continued)

Description	Part number	Table and page
FFC, scan module	CE847-60106	Scanner assembly (2 of 2); HP LaserJet Professional M1130 MFP series on page 193
FFC, scan module	CE841-60104	ADF/scanner assembly; HP LaserJet Professional M1210 MFP series on page 199
Formatter PCA assembly (HP LaserJet Professional M1130 MFP series)	CE831-60001	Assembly view, HP LaserJet Professional M1130 MFP series on page 187
Formatter PCA assembly (HP LaserJet Professional M1210 MFP series)	CE832-60001	Assembly view, HP LaserJet Professional M1210 MFP series on page 189
Front cover	RL1-2946-000CN	Product base on page 211
Fuser film assembly (110 V)	RM1-6872-000CN	Internal assemblies (1 of 3) on page 213
Fuser film assembly (220 V)	RM1-6873-000CN	Internal assemblies (1 of 3) on page 213
Fuser paper delivery assembly (110 V)	RM1-7733-000CN	Internal assemblies (1 of 3) on page 213
Fuser paper delivery assembly (220 V)	RM1-7734-000CN	Internal assemblies (1 of 3) on page 213
Gear, drag	Q1647-40045	Scanner drive assembly; HP LaserJet Professional M1130 MFP series on page 195
Gear, drag	Q8180-40007	Scanner drive assembly; HP LaserJet Professional M1210 MFP series on page 201
Gear, worm/pinion	Q1647-40003	Scanner drive assembly; HP LaserJet Professional M1130 MFP series on page 195
Gear, worm/pinion	CC334-40078	Scanner drive assembly; HP LaserJet Professional M1210 MFP series on page 201
Hook, SSA latch	Q8191-00004	ADF/scanner assembly; HP LaserJet Professional M1210 MFP series on page 199
Input tray, ADF	CE841-60118	ADF pre-pick arm assembly; HP LaserJet Professional M1210 MFP series on page 209
Jumper, fax PCA	CE841-60116	Assembly view, HP LaserJet Professional M1210 MFP series on page 189

Table 3-23 Alphabetical parts list (continued)

Description	Part number	Table and page
Laser/scanner assembly	RM1-6878-000CN	Internal assemblies (3 of 3) on page 217
Latch, ADF	Q8191-00004	ADF pre-pick arm assembly; HP LaserJet Professional M1210 MFP series on page 209
Lid, document base	CE847-40003	Scanner assembly (1 of 2); HP LaserJet Professional M1130 MFP series on page 191
Motor PCA assembly	RM1-7895-000CN	Internal assemblies (3 of 3) on page 217
Motor PCA assembly	RM1-7895-000CN	PCAs on page 219
Motor, DC	Q3434-60238	Scanner drive assembly; HP LaserJet Professional M1130 MFP series on page 195
Motor, DC	CE538-60128	Scanner drive assembly; HP LaserJet Professional M1210 MFP series on page 201
Motor, DC 24 V	RL1-2591-000CN	Internal assemblies (3 of 3) on page 217
Nameplate, metal low profile 3.5 ROHS	7121-8265	Assembly view, HP LaserJet Professional M1130 MFP series on page 187
Nameplate, metal low profile 3.5 ROHS	7121-8265	Assembly view, HP LaserJet Professional M1210 MFP series on page 189
Pad friction, ADF	CB780-80008	ADF core; HP LaserJet Professional M1210 MFP series on page 207
Panel, rear	RC3-0852-000CN	Product base on page 211
Paper delivery tray assembly	RM1-7727-000CN	Product base on page 211
Paper pickup sensor PCA assembly	RM1-7894-000CN	Internal assemblies (2 of 3) on page 215
Paper pickup sensor PCA assembly	RM1-7894-000CN	PCAs on page 219
Paper pickup tray assembly	RM1-7728-000CN	Product base on page 211
Pickup transfer frame assembly	RM1-7737-000CN	Internal assemblies (2 of 3) on page 215
Power switch assembly	RM1-7735-000CN	Internal assemblies (1 of 3) on page 213
Pre-pick arm assembly, ADF	CB780-60032	ADF top cover; HP LaserJet Professional M1210 MFP series on page 205

Table 3-23 Alphabetical parts list (continued)

Description	Part number	Table and page
Roller, paper pickup	RL1-2593-000CN	Internal assemblies (2 of 3) on page 215
Scanner 1200 PPI, assembly	Q8418-60043	Scanner drive assembly; HP LaserJet Professional M1130 MFP series on page 195
Scanner 1200 PPI, assembly	Q8418-60043	Scanner drive assembly; HP LaserJet Professional M1210 MFP series on page 201
Scanner assembly	CE841-60125	ADF/scanner assembly; HP LaserJet Professional M1210 MFP series on page 197
Scanner assembly, HP LaserJet Professional M1130 MFP series	CE847-60112	Scanner assembly (1 of 2); HP LaserJet Professional M1130 MFP series on page 191
Scanner base assembly	CE847-60104	Scanner assembly (1 of 2); HP LaserJet Professional M1130 MFP series on page 191
Scanner drive assembly	CE847-60108	Scanner assembly (2 of 2); HP LaserJet Professional M1130 MFP series on page 193
Scanner drive assembly	CE847-60108	Scanner drive assembly; HP LaserJet Professional M1130 MFP series on page 195
Scanner drive assembly	CE841-60111	ADF/scanner assembly; HP LaserJet Professional M1210 MFP series on page 199
Scanner drive assembly	CE841-60111	Scanner drive assembly; HP LaserJet Professional M1210 MFP series on page 201
Scanner lock assembly	RM1-7726-000CN	Product base on page 211
Separation pad assembly	RM1-4006-000CN	Internal assemblies (2 of 3) on page 215
Separation pad assembly, ADF	CB780-60009	ADF core; HP LaserJet Professional M1210 MFP series on page 207
Spacer, formatter	CE847-40008	Assembly view, HP LaserJet Professional M1130 MFP series on page 187
Spring, SSA latch	CE841-00020	ADF/scanner assembly; HP LaserJet Professional M1210 MFP series on page 199

Table 3-23 Alphabetical parts list (continued)

Description	Part number	Table and page
Stopper, paper	RC2-9249-000CN	Product base on page 211
Top cover, ADF	CE841-60112	ADF assembly: HP LaserJet Professional M1210 MFP series on page 203
Transfer roller	RM1-4023-000CN	Internal assemblies (2 of 3) on page 215

Numerical parts list

Table 3-24 Numerical parts list

Part number	Description	Table and page
7121-8265	Nameplate, metal low profile 3.5 ROHS	Assembly view, HP LaserJet Professional M1130 MFP series on page 187
7121-8265	Nameplate, metal low profile 3.5 ROHS	Assembly view, HP LaserJet Professional M1210 MFP series on page 189
9170-1821	Ferrite, rectangular EMI ROHS	Assembly view, HP LaserJet Professional M1130 MFP series on page 187
9170-1821	Ferrite, rectangular EMI ROHS	Assembly view, HP LaserJet Professional M1210 MFP series on page 189
9170-1821	Ferrite, rectangular EMI ROHS	Scanner assembly (2 of 2); HP LaserJet Professional M1130 MFP series on page 193
9170-1821	Ferrite, rectangular EMI ROHS	ADF/scanner assembly; HP LaserJet Professional M1210 MFP series on page 199
9170-2385	Core-ferrite, ribbon core ROHS	Assembly view, HP LaserJet Professional M1130 MFP series on page 187
9170-2385	Core-ferrite, ribbon core ROHS	Assembly view, HP LaserJet Professional M1210 MFP series on page 189
CB780-60009	Separation pad assembly, ADF	ADF core; HP LaserJet Professional M1210 MFP series on page 207
CB780-60032	Pre-pick arm assembly, ADF	ADF top cover; HP LaserJet Professional M1210 MFP series on page 205
CB780-80008	Pad friction, ADF	ADF core; HP LaserJet Professional M1210 MFP series on page 207
CC334-40078	Gear, worm/pinion	Scanner drive assembly; HP LaserJet Professional M1210 MFP series on page 201
CD643-60001	Fax card, DAA Brazil (HP LaserJet Professional M1210 MFP series)	Assembly view, HP LaserJet Professional M1210 MFP series on page 189
CE538-60128	Motor, DC	Scanner drive assembly; HP LaserJet Professional M1210 MFP series on page 201

Table 3-24 Numerical parts list (continued)

Part number	Description	Table and page
CE831-60001	Formatter PCA assembly (HP LaserJet Professional M1130 MFP series)	Assembly view, HP LaserJet Professional M1130 MFP series on page 187
CE832-60001	Formatter PCA assembly (HP LaserJet Professional M1210 MFP series)	Assembly view, HP LaserJet Professional M1210 MFP series on page 189
CE833-60001	Fax card, Billow DAA US (HP LaserJet Professional M1210 MFP series)	Assembly view, HP LaserJet Professional M1210 MFP series on page 189
CE841-00014	Control panel, spring	Assembly view, HP LaserJet Professional M1130 MFP series on page 187
CE841-00014	Control panel, spring	Assembly view, HP LaserJet Professional M1210 MFP series on page 189
CE841-00017	Clamp, motor scanner	Scanner drive assembly: HP LaserJet Professional M1130 MFP series on page 195
CE841-00017	Clamp, motor scanner	Scanner drive assembly: HP LaserJet Professional M1210 MFP series on page 201
CE841-00020	Spring, SSA latch	ADF/scanner assembly: HP LaserJet Professional M1210 MFP series on page 199
CE841-40005	Control panel, mount	Assembly view, HP LaserJet Professional M1130 MFP series on page 187
CE841-40005	Control panel, mount	Assembly view, HP LaserJet Professional M1210 MFP series on page 189
CE841-40017	Carriage, scanner	Scanner drive assembly: HP LaserJet Professional M1210 MFP series on page 201
CE841-40026	Cover, I/O (HP LaserJet Professional M1130 MFP series)	Assembly view, HP LaserJet Professional M1210 MFP series on page 189
CE841-60102	Bezel, scanner assembly	ADF/scanner assembly: HP LaserJet Professional M1210 MFP series on page 199
CE841-60104	FFC, scan module	ADF/scanner assembly: HP LaserJet Professional M1210 MFP series on page 199

Table 3-24 Numerical parts list (continued)

Part number	Description	Table and page
CE841-60104	Cable, scan module	Scanner drive assembly; HP LaserJet Professional M1210 MFP series on page 201
CE841-60106	Automatic document feeder (ADF), assembly	ADF/scanner assembly; HP LaserJet Professional M1210 MFP series on page 197
CE841-60107	Control panel (HP LaserJet Professional M1130 MFP series)	Assembly view, HP LaserJet Professional M1130 MFP series on page 187
CE841-60108	Cable engine, video FFC 4:1	Assembly view, HP LaserJet Professional M1210 MFP series on page 189
CE841-60109	Control panel, Asian (HP LaserJet Professional M1210 MFP series)	Assembly view, HP LaserJet Professional M1210 MFP series on page 189
CE841-60110	Control panel, Western (HP LaserJet Professional M1210 MFP series)	Assembly view, HP LaserJet Professional M1210 MFP series on page 189
CE841-60111	Scanner drive assembly	ADF/scanner assembly; HP LaserJet Professional M1210 MFP series on page 199
CE841-60111	Scanner drive assembly	Scanner drive assembly; HP LaserJet Professional M1210 MFP series on page 201
CE841-60112	Top cover, ADF	ADF assembly; HP LaserJet Professional M1210 MFP series on page 203
CE841-60113	Base, ADF	ADF assembly; HP LaserJet Professional M1210 MFP series on page 203
CE841-60114	Core, ADF	ADF assembly; HP LaserJet Professional M1210 MFP series on page 203
CE841-60116	Jumper, fax PCA	Assembly view, HP LaserJet Professional M1210 MFP series on page 189
CE841-60118	Input tray, ADF	ADF pre-pick arm assembly; HP LaserJet Professional M1210 MFP series on page 209
CE841-60119	Assylink, 4 in 1	Assembly view, HP LaserJet Professional M1210 MFP series on page 189
CE841-60125	Scanner assembly	ADF/scanner assembly; HP LaserJet Professional M1210 MFP series on page 197

Table 3-24 Numerical parts list (continued)

Part number	Description	Table and page
CE847-40001	Base, scanner	Scanner assembly (2 of 2); HP LaserJet Professional M1130 MFP series on page 193
CE847-40003	Lid, document base	Scanner assembly (1 of 2); HP LaserJet Professional M1130 MFP series on page 191
CE847-40007	Carriage, scanner	Scanner drive assembly; HP LaserJet Professional M1130 MFP series on page 195
CE847-40008	Spacer, formatter	Assembly view, HP LaserJet Professional M1130 MFP series on page 187
CE847-40009	Cover, I/O (HP LaserJet Professional M1130 MFP series)	Assembly view, HP LaserJet Professional M1130 MFP series on page 187
CE847-60103	Bezel, scanner assembly	Scanner assembly (2 of 2); HP LaserJet Professional M1130 MFP series on page 193
CE847-60104	Scanner base assembly	Scanner assembly (1 of 2); HP LaserJet Professional M1130 MFP series on page 191
CE847-60105	Cable engine, video FFC 3:1	Assembly view, HP LaserJet Professional M1130 MFP series on page 187
CE847-60106	FFC, scan module	Scanner assembly (2 of 2); HP LaserJet Professional M1130 MFP series on page 193
CE847-60106	Cable, scan module	Scanner drive assembly; HP LaserJet Professional M1130 MFP series on page 195
CE847-60107	Cable, engine 24 V 4:1	Assembly view, HP LaserJet Professional M1210 MFP series on page 189
CE847-60108	Scanner drive assembly	Scanner assembly (2 of 2); HP LaserJet Professional M1130 MFP series on page 193
CE847-60108	Scanner drive assembly	Scanner drive assembly; HP LaserJet Professional M1130 MFP series on page 195
CE847-60109	Cable, engine 24 V 3:1	Assembly view, HP LaserJet Professional M1130 MFP series on page 187

Table 3-24 Numerical parts list (continued)

Part number	Description	Table and page
CE847-60110	Assylink, 3 in 1	Assembly view, HP LaserJet Professional M1130 MFP series on page 187
CE847-60112	Scanner assembly, HP LaserJet Professional M1130 MFP series	Scanner assembly (1 of 2); HP LaserJet Professional M1130 MFP series on page 191
CE868-60001	Fax card, DAA Euro (HP LaserJet Professional M1210 MFP series)	Assembly view, HP LaserJet Professional M1210 MFP series on page 189
Q1647-40003	Gear, worm/pinion	Scanner drive assembly; HP LaserJet Professional M1130 MFP series on page 195
Q1647-40045	Gear, drag	Scanner drive assembly; HP LaserJet Professional M1130 MFP series on page 195
Q3434-40038	Backing, document	Scanner assembly (1 of 2); HP LaserJet Professional M1130 MFP series on page 191
Q3434-40038	Backing, document	ADF pre-pick arm assembly; HP LaserJet Professional M1210 MFP series on page 209
Q3434-60238	Motor, DC	Scanner drive assembly; HP LaserJet Professional M1130 MFP series on page 195
Q8180-40007	Gear, drag	Scanner drive assembly; HP LaserJet Professional M1210 MFP series on page 201
Q8191-00004	Hook, SSA latch	ADF/scanner assembly; HP LaserJet Professional M1210 MFP series on page 199
Q8191-00004	Latch, ADF	ADF pre-pick arm assembly; HP LaserJet Professional M1210 MFP series on page 209
Q8418-60043	Scanner 1200 PPI, assembly	Scanner drive assembly; HP LaserJet Professional M1130 MFP series on page 195
Q8418-60043	Scanner 1200 PPI, assembly	Scanner drive assembly; HP LaserJet Professional M1210 MFP series on page 201
RC2-9249-000CN	Stopper, paper	Product base on page 211

Table 3-24 Numerical parts list (continued)

Part number	Description	Table and page
RC3-0823-000CN	Cover, left	Product base on page 211
RC3-0825-000CN	Cover, right	Product base on page 211
RC3-0839-000CN	Door, print cartridge	Product base on page 211
RC3-0852-000CN	Panel, rear	Product base on page 211
RL1-2591-000CN	Motor, DC 24 V	Internal assemblies (3 of 3) on page 217
RL1-2593-000CN	Roller, paper pickup	Internal assemblies (2 of 3) on page 215
RL1-2944-000CN	Cover, top	Product base on page 211
RL1-2946-000CN	Front cover	Product base on page 211
RM1-4006-000CN	Separation pad assembly	Internal assemblies (2 of 3) on page 215
RM1-4023-000CN	Transfer roller	Internal assemblies (2 of 3) on page 215
RM1-6872-000CN	Fuser film assembly (110 V)	Internal assemblies (1 of 3) on page 213
RM1-6873-000CN	Fuser film assembly (220 V)	Internal assemblies (1 of 3) on page 213
RM1-6878-000CN	Laser/scanner assembly	Internal assemblies (3 of 3) on page 217
RM1-7604-000CN	Cable, flat	Internal assemblies (3 of 3) on page 217
RM1-7726-000CN	Scanner lock assembly	Product base on page 211
RM1-7727-000CN	Paper delivery tray assembly	Product base on page 211
RM1-7728-000CN	Paper pickup tray assembly	Product base on page 211
RM1-7733-000CN	Fuser paper delivery assembly (110 V)	Internal assemblies (1 of 3) on page 213
RM1-7734-000CN	Fuser paper delivery assembly (220 V)	Internal assemblies (1 of 3) on page 213
RM1-7735-000CN	Power switch assembly	Internal assemblies (1 of 3) on page 213
RM1-7737-000CN	Pickup transfer frame assembly	Internal assemblies (2 of 3) on page 215
RM1-7892-000CN	Engine controll PCA (110 V)	Internal assemblies (1 of 3) on page 213
RM1-7892-000CN	Engine control PCA assembly (110 V)	PCAs on page 219
RM1-7893-000CN	Delivery sensor PCA assembly	Internal assemblies (1 of 3) on page 213
RM1-7893-000CN	Delivery sensor PCA assembly	PCAs on page 219
RM1-7894-000CN	Paper pickup sensor PCA assembly	Internal assemblies (2 of 3) on page 215

Table 3-24 Numerical parts list (continued)

Part number	Description	Table and page
RM1-7894-000CN	Paper pickup sensor PCA assembly	PCAs on page 219
RM1-7895-000CN	Motor PCA assembly	Internal assemblies (3 of 3) on page 217
RM1-7895-000CN	Motor PCA assembly	PCAs on page 219
RM1-7902-000CN	Engine control PCA (220 V)	Internal assemblies (1 of 3) on page 213
RM1-7902-000CN	Engine control PCA assembly (220 V)	PCAs on page 219